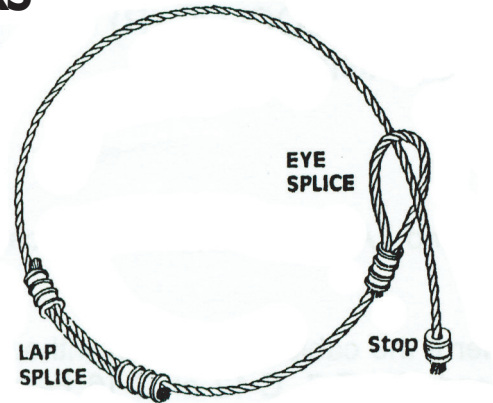


INSTRUCTIONS FOR EYE, STOP, AND LAP SPLICING OF STEEL CABLE WITH LOCOLOC® SWAGERS

Cable splicing is much easier if the cable is cut clean without frayed ends. We highly recommend FELCO® C7, C9, C12 or C16 cable cutters as shown in the Loos & Co. Cableware Division catalog.

Locoloc® oval and stop sleeves in a complete range of sizes are available through the Loos & Co. Cableware Division. Sleeves elongate after compression. To assure maximum holding allow the end of the cable to extend beyond the sleeve after it is compressed (see illustration at right). The chart at the right indicates the recommended number of compressions for each size and type of sleeve to obtain maximum holding. Keep the jaws of the swager at right angles to the sleeve being compressed, making sure the sleeve is aligned in the jaw grooves. Then close the handles of the swager completely. (Note: for lap splices, at least two oval sleeves should be used.) Each Loos & Co. Locoloc® Swager is designed to work with one or more specific size sleeves. **FOR USE ON ALL METAL CONSTRUCTION CABLES, 7x7, 7x19, 6x19 IWRC ON SIZES UP TO 5/16"**. You will not obtain performance if you do not use the proper swager and sleeve combination. The chart at lower right shows the specific size sleeve to be used with a particular swager number. All compressions must be gauged to assure maximum holding strength, and it is recommended that all assemblies should be proof-tested.



NUMBER OF COMPRESSIONS			
CABLE DIAMETER	ALUMINUM & COPPER		STAINLESS STEEL OVAL SLEEVE
	OVAL SLEEVES	STOP SLEEVE	
3/64"	2	1	1
1/16"	2	1	1
3/32"	2	2	1
1/8"	3	2	2
5/32"	3	2	3
3/16"	4	2	4
7/32"	3	2	3
1/4"	4	3	5
9/32"	4	3	N/A
5/16"	5A / 4C	3	5
3/8"	N/A	3	5

SWAGER MAINTENANCE AND ADJUSTMENT

Your Loos & Co. Locoloc® Swager has been designed to give you years of trouble-free service. To obtain the best possible performance, we recommend:

- (1) clean and lubricate all moving parts regularly;
- (2) keep all bolts tight;
- (3) keep your swager properly adjusted, and lubricate daily when in use.

Each Locoloc® swager is supplied with a gauge. Select the slot in the gauge corresponding to the sleeve size being compressed. The compressed portion of the sleeve should pass into the gauge easily. If it does not, then adjust your swager as follows:

With the handles apart, use a 3/16" allen wrench to tighten set screw in handle 1/4 turn. Then compress sleeve and check with the gauge. Continue this procedure until the compressed portion of the sleeve passes easily into the gauge. These instructions apply to all #1-SC, #0, #0-SC, and #1-BSC Loos & Co. Locoloc® Swagers.

SEISMIC SLEEVE		
SLEEVE	NUMBER OF COMPRESSIONS	CABLE DIAMETER
#GR6-SLV	3	3/16"
#BL8-SLV	3	1/4"

If you are swaging only one size sleeve, select the proper tool number from the chart					
SWAGERS FOR ALUMINUM OR COPPER OVAL SLEEVES		SWAGERS FOR ALUMINUM OR COPPER STOP SLEEVES		SWAGERS FOR STAINLESS STEEL OVAL SLEEVES	
CABLE DIA.	USE TOOL NO.	CABLE DIA.	USE TOOL NO.	CABLE DIA.	USE TOOL NO.
3/64"	0-3/64	3/64"	0-3/64	3/64"	0-3/64
1/16"	0-1/16	1/16"	0-1/16	1/16"	0-3/64
3/32"	0-3/32	3/32"	0-3/32	3/32"	0-1/16
1/8"	0-1/8	1/8"	0-3/32	1/8"	0-3/32
5/32"	0-5/32	5/32"	0-1/8	5/32"	0-1/8
3/16"	0-3/16	3/16"	0-1/8	3/16"	0-1/8
7/32"	0-7/32	7/32"	0-1/8	7/32"	0-3/16
1/4"	0-1/4	1/4"	0-1/4	1/4"	0-7/32
9/32"	0-9/32	9/32"	0-1/4	N/A	N/A
5/16"	0-5/16	5/16"	0-1/4	5/16"	0-9/32
N/A	N/A	3/8"	0-1/4	3/8"	0-5/16

If you work with more than one size sleeve, your best selection by far is our #1-SC, or #1-BSC. All tools swage: Aluminum or Copper Locoloc® Oval Sleeves for cable diameters of 1/16", 3/32", 1/8", 5/32", & 3/16". Aluminum or Copper Stop Locoloc® Sleeves for cable diameter of 1/16", 3/32", 1/8", 5/32", 3/16", 7/32".

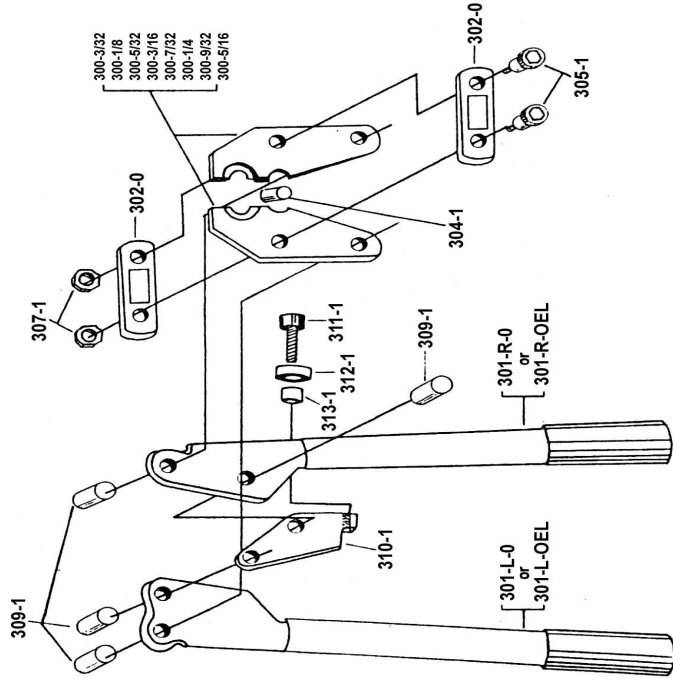
Check our Website on other Locoloc® Swaging Tools
www.loosnaples.com



901 Industrial Blvd • Naples, FL 34104
 Tel: (239) 643-LOOS • Fax (239) 643-4558
 E-mail: sales@loosnaples.com

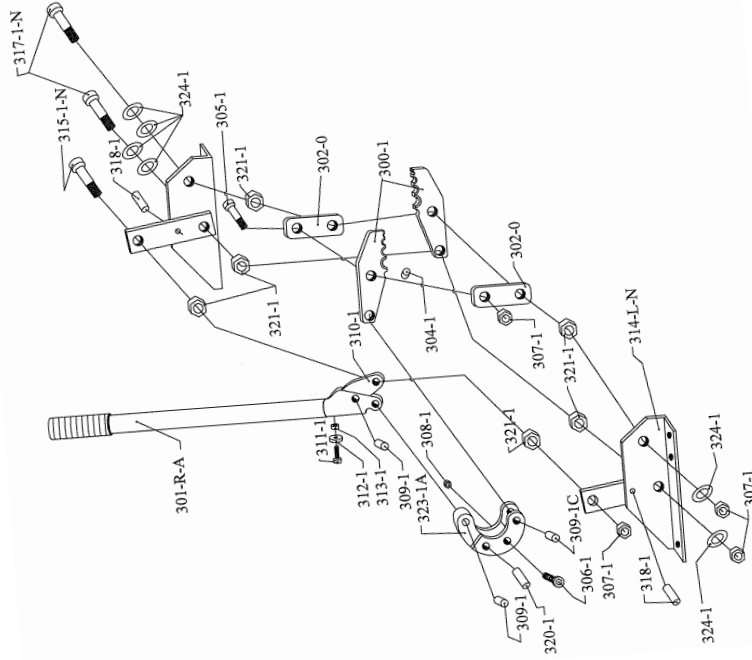
#0-SC

Part #	Description	Qty.
300-3/32	3/32" Swaging Jaw Head Assy.	1
300-1/8	1/8" Swaging Jaw Head Assy.	1
300-5/32	5/32" Swaging Jaw Head Assy.	1
300-3/16	3/16" Swaging Jaw Head Assy.	1
300-7/32	7/32" Swaging Jaw Head Assy.	1
300-1/4	1/4" Swaging Jaw Head Assy.	1
300-9/32	9/32" Swaging Jaw Head Assy.	1
300-5/16	5/16" Swaging Jaw Head Assy.	1
SWAGING HEADS SOLD AS ASSEMBLY ONLY		
Parts Included:		
300-Jaw	Swaging Jaw Set (please specify size)	1
302-0	Plate	2
304-1	Fulcrum Pin	1
305-1	Jaw Bolt	2
307-1	Nut for Jaw Bolt	2
301-R-0 or 301-R-OEL	Handle Assy., right 3/32-3/16 Handle Assy., right 7/32-5/16	1
SOLD AS ASSEMBLY ONLY - Includes:		
301-R-0 or 301-R-OEL	Handle (please specify size)	1
309-1	Connecting Pin	1
310-1	Adjusting Arm	1
311-1	Adjusting Screw	1
312-1	Washer	1
313-1	Nylon Bushing	1
301-L-0 or 301-L-OEL	Handle, left (3/32-3/16) Handle, left (7/32-5/16)	1
309-1	Connecting Pin	3



#1BSC

Part #	Description	Qty.
300-1B	Swaging Jaw Head Assy	1
SOLD AS ASSEMBLY ONLY - Includes:		
300-1 Jaws	Swaging Jaw Set	1
302-0	Plate	2
304-1	Fulcrum Pin	1
305-1	Jaw Bolt	1
307-1	Nut for Jaw Bolt	4
314-R-N	Mount Bracket Assy. right	1
314-L-N	Mount Bracket Assy. Left	1
318-1	Pin for Mount Bracket	2
PIN FOR MOUNT BRACKET IS INCLUDED IN ASSEMBLY		
315-1-N	Bolt - Handle (to mount brackets)	1
317-1-N	Bolt - Lower Rear Jaw (& Mt. Brackets)	2
317-1-N	Bolt - Lower Front (& Mt. Brackets)	2
321-1	Spacer Nut (small)	6
324-1	Flat Washer	6
301-R-1A	Handle Assembly	1
301-R-1	Handle	1
309-1	Connecting Pin	2
310-1	Adjusting Arm	1
311-1	Adjusting Screw	1
312-1	Washer	1
313-1	Nylon Bushing	1
309-1C	Connecting Pin	1
323-1A	Connecting Link Assy.	1
SOLD AS ASSEMBLY ONLY - Includes:		
308-1	Nut for Connecting Link Bolt	1
306-1	Connecting Link Bolt	1
320-1	Connecting Pin	1



#1-SC

Part #	Description	Qty.
301-L-1	Handle, left	1
309-1	Connecting Pin	3
SOLD AS ASSEMBLY ONLY - Includes:		
300-1 Jaws	Swaging Jaw Set	1
302-1	Back Plate	1
303-1	Front Plate	1
304-1	Fulcrum Pin	1
305-1	Jaw Bolt	2
306-1	Plate Bolt	1
307-1	Nut for Jaw Bolt	2
308-1	Nut for Plate Bolt	1
301-R-1A	Handle Assembly, right	1
SOLD AS ASSEMBLY ONLY - Includes:		
301-R-1	Handle	1
309-1	Connecting Pin	1
310-1	Adjusting Arm	1
311-1	Adjusting Screw	1
312-1	Washer	1
313-1	Nylon Bushing	1

